



JG 7000 GRABBER FOR ROAD / PLATFORM

- High speed hydraulic system of low pressure type (120 bar) for longer service life and reduced maintenance costs.
- HIAB JET GRABBER 3.5 covers a 7.0m working area.

QUALITY DESIGN

- Computer aided design and robot welded high tensile steel means lowest weight and highest quality.
- Hydraulic buffer system in outer boom cylinder to improve durability.
- Integrated hydraulic shock absorber system to ensure long lifetime.
- Lifetime fatigue tested in Hiab's advanced test laboratories.
- Heavy duty rack and pinion rotating system.



PT WAHANA INTI SELARAS

Operational Office : Green Sedayu Bizpark, Blok GS 3/38,

Jl. Cakung Cilincing Timur Raya KM 2, Jakarta 13910

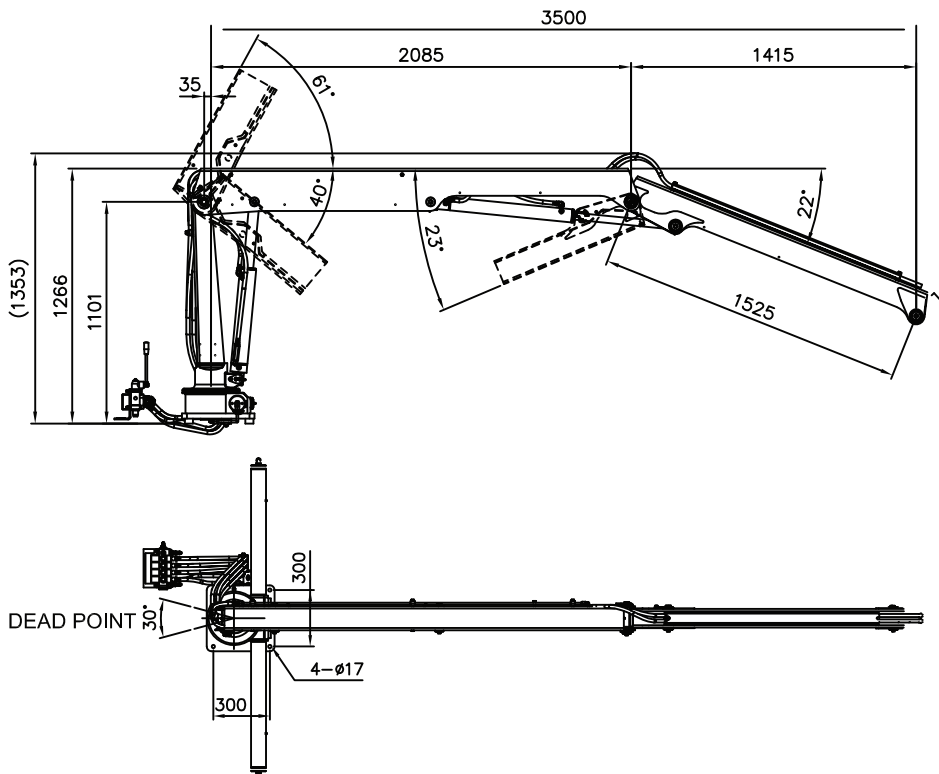
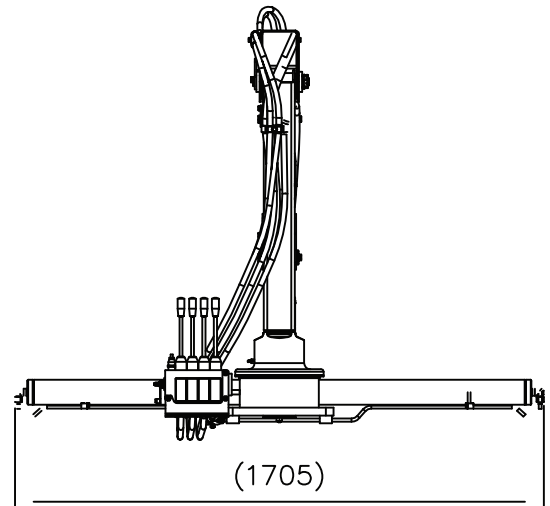
Phone : (+6221) 2983 2045, 2983 2113

Email : admin.sales@wiselgroup.indomobil.co.id

Website : www.johndeere.indomobil.com

JG 7000 GRABBER FOR ROAD / PLATFORM

| Description | | Specification |
|---------------------------|--------|----------------------------------|
| Lifting capacity | | 0.8 ton - m |
| Working radius | | 3.5 m |
| Outreach-lifting capacity | | 2.6 m - 300 kg 3.5 m - 210 kg |
| Working pressure | | 12 Mpa |
| Recommended oil flow | | 15 l/min |
| Lifting | Speed | 1 m/sec |
| | Angle | -40 deg ~ 61 deg |
| Slewing | Torque | 2.2 kNm |
| | Angle | 330 deg |
| | Speed | 32 deg / sec |
| | Type | Single rack gear |
| Control valve | | Walvoil SD5 |
| Oil tank capacity | | 40 L |
| Weight without outrigger | | 280 kg |
| Mounting chassis | | above 1.0 ton |



PT WAHANA INTI SELARAS

Operational Office : Green Sedayu Bizpark, Blok GS 3/38,
 Jl. Cakung Cilincing Timur Raya KM 2, Jakarta 13910
 Phone : (+6221) 2983 2045, 2983 2113
 Email : admin.sales@wiselgroup.indomobil.co.id
 Website : www.johndeere.indomobil.com

